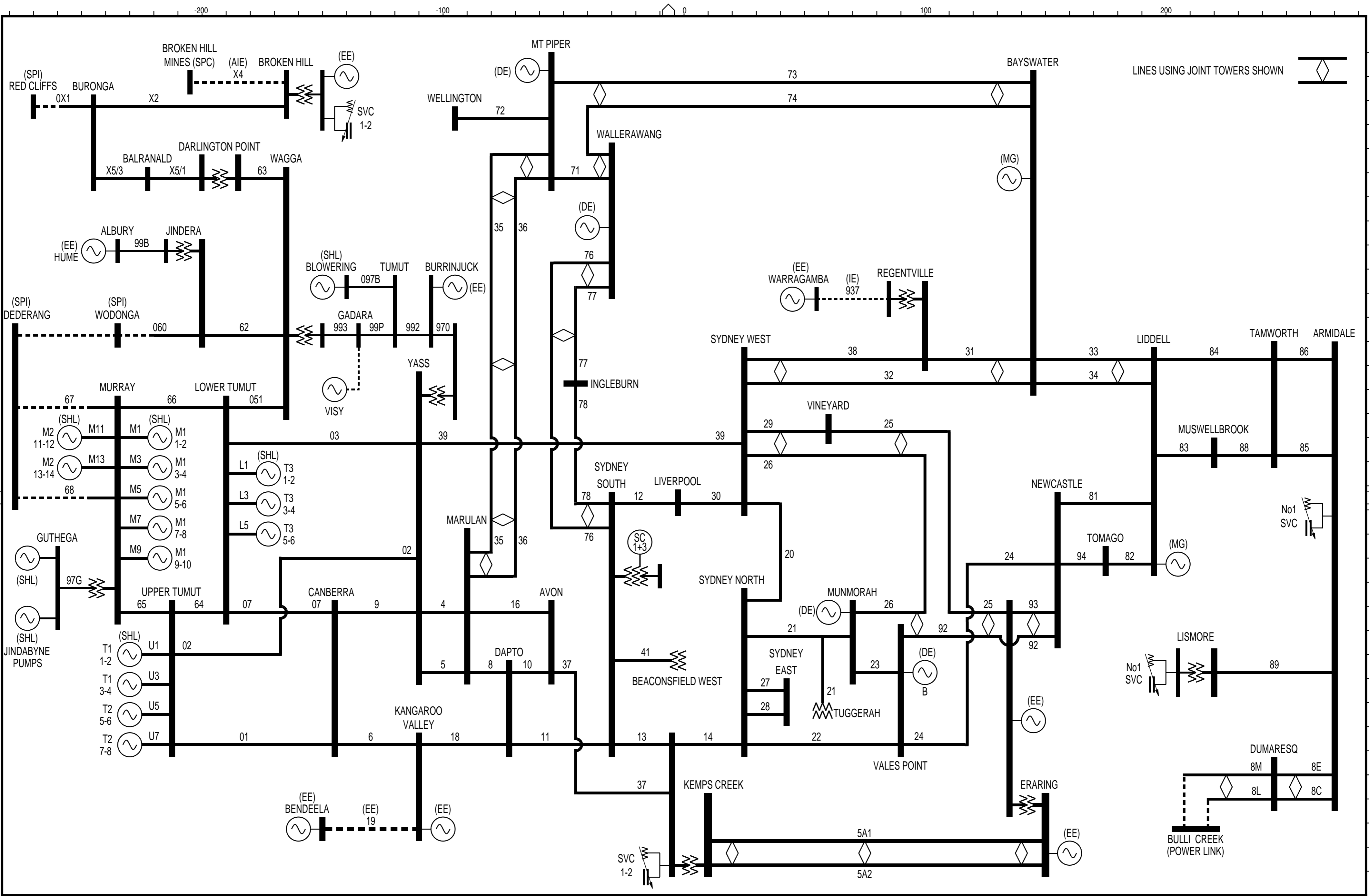


This drawing is copyright and is the property of TransGrid. No part of this work may be copied, reproduced, altered or amended, stored in a retrieval system, or transmitted in any form or by any means without the prior permission in writing of TransGrid.



AMENDED BY: JRR DATE: 15-JUL-2002

Distribution Authority SHL was SMC. Ownership of SHL switchyards & feeders transferred to TransGrid.
SHL generating unit & TransGrid feeders added.
S1972.



DRAWN	JRR	
REVIEWED	NA	15-JUL-2002
APPROVED	JRR	15-JUL-2002

KKS CODING	B
APPROVED AS BUILT	
APPROVAL STATUS	

©TransGrid	
SYSTEM OPERATIONS INTERCONNECTION BETWEEN NSW, VIC, QLD & SA (NSW SYSTEM) DIAGRAM	
A2	SOG605001/1
PREFIX NUMBER SHEET	AMDT

NSW I/C